

# SUSFBN25B

## Order Product Code

**SUSFBN25B 17 D10**

TYPE No. of Teeth  $\phi D^{H7}$   
Sprocket No.



## Order Product Code K4

**SUSFBN25B 17 D10** K4

TYPE No. of Teeth  $\phi D^{H7}$  Keyway  
Sprocket No.

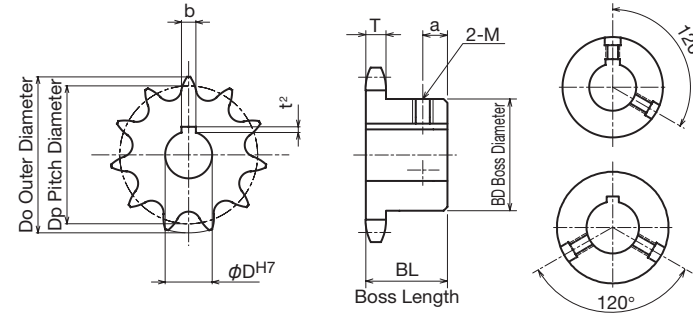
- Chain ..... **No.25**
- Chain Pitch ..... (P) **6.35 mm**
- Bushing Link Inner Width ..... (W) **3.18 mm**
- Bushing Outside Diameter ..... (Dr) **3.30 mm**
- Tooth Width ..... (T) **2.8 mm**

K4 Part is a special shaft diameter specification only

TYPE	SUSFBN25B									
	m Stainless Steel GB 304									
Product Code	No. of Teeth	$\phi D^{H7}$	Keyway b×t <sup>2</sup>	M	Do	Dp	BD	BL	a	Weight g
SUSFBN25B16D10	16	10	3×1.4	4	36	32.55	21	16	6	60
SUSFBN25B16D10K4	16	10	4×1.8	4	36	32.55	21	16	6	60
SUSFBN25B17D10	17	10	3×1.4	4	38	34.56	23	16	6	70
SUSFBN25B17D10K4	17	10	4×1.8	4	38	34.56	23	16	6	70
SUSFBN25B18D10	18	10	3×1.4	4	40	36.57	25	16	6	70
SUSFBN25B18D10K4	18	10	4×1.8	4	40	36.57	25	16	6	70
SUSFBN25B19D10	19	10	3×1.4	4	42	38.58	26	16	6	80
SUSFBN25B19D10K4	19	10	4×1.8	4	42	38.58	26	16	6	80
SUSFBN25B19D12	19	12	4×1.8	5	42	38.58	26	16	6	80
SUSFBN25B19D15	19	15	5×2.3	6	42	38.58	26	16	6	80
SUSFBN25B20D10	20	10	3×1.4	4	44	40.59	28	16	6	80
SUSFBN25B20D10K4	20	10	4×1.8	4	44	40.59	28	16	6	80
SUSFBN25B20D12	20	12	4×1.8	5	44	40.59	28	16	6	80
SUSFBN25B21D12	21	12	4×1.8	5	46	42.61	30	18	7	90
SUSFBN25B21D15	21	15	5×2.3	6	46	42.61	30	18	7	90
SUSFBN25B22D12	22	12	4×1.8	5	48	44.62	30	18	7	100
SUSFBN25B22D15	22	15	5×2.3	6	48	44.62	30	18	7	100
SUSFBN25B23D12	23	12	4×1.8	5	50	46.63	30	18	7	110
SUSFBN25B23D15	23	15	5×2.3	6	50	46.63	30	18	7	110
SUSFBN25B24D12	24	12	4×1.8	5	52	48.65	30	18	7	120
SUSFBN25B24D15	24	15	5×2.3	6	52	48.65	30	18	7	120
SUSFBN25B25D12	25	12	4×1.8	5	54	50.66	30	18	7	140
SUSFBN25B25D15	25	15	5×2.3	6	54	50.66	30	18	7	140

\*M is a set screw. \* The seal set screws differ from the usual due to the boss type.

# SUS FBN Finished Bore Sprocket D10 K4×1.8 Specification SUS FBN Finished Bore Sprocket New JIS Keyway Specification



K4  $\phi D^{H7}$  mark set screw is set at a location other than the keyway (figure at left).

TYPE	SUSFBN25B									
	m Stainless Steel GB 304									
Product Code	No. of Teeth	$\phi D^{H7}$	Keyway b×t <sup>2</sup>	M	Do	Dp	BD	BL	a	Weight g
SUSFBN25B26D12	26	12	4×1.8	5	56	52.68	30	18	7	140
SUSFBN25B26D15	26	15	5×2.3	6	56	52.68	30	18	7	140
SUSFBN25B27D12	27	12	4×1.8	5	58	54.70	30	18	7	150
SUSFBN25B27D15	27	15	5×2.3	6	58	54.70	30	18	7	150
SUSFBN25B28D12	28	12	4×1.8	5	60	56.71	30	18	7	150
SUSFBN25B28D15	28	15	5×2.3	6	60	56.71	30	18	7	150
SUSFBN25B30D12	30	12	4×1.8	5	64	60.75	30	18	7	160
SUSFBN25B30D15	30	15	5×2.3	6	64	60.75	30	18	7	160
SUSFBN25B32D12	32	12	4×1.8	5	68	64.78	30	18	7	200
SUSFBN25B32D15	32	15	5×2.3	6	68	64.78	30	18	7	200

\*M is a set screw. \* The seal set screws differ from the usual due to the boss type.

### ☆Special Shaft Hole Machined Specification

$\phi D^{H7}$	Keyway b×t <sup>2</sup>	Set screw M
10	4×1.8	4

\* K4 Parts only can be selected for special shaft hole machining.

! \* If you order a special shaft diameter specification, please append K4 after the hole diameter.  
Example: SUSFBN25B19D10K4  
Caution