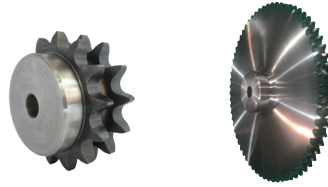
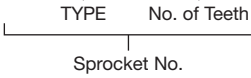


# NK80-2B

## Order Product Code

### NK80-2B 15



Ground Specification

Welded Specification

(Black stain also mixed in)

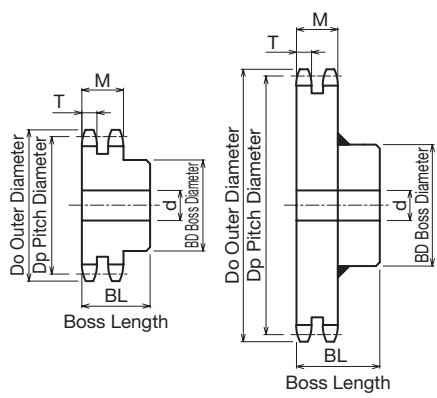
Machine Key

Use together with the KANA machine key.  
Refer to P.334 to P.335

- Chain ..... **No.80-2**
- Chain Pitch ..... **(P) 25.4 mm**
- Roller Link Inner Width ... **(W) 15.88 mm**
- Roller Outside Diameter ... **(Dr) 15.88 mm**
- Tooth Width ..... **(T) 14.1 mm**
- Complete Tooth Width ... **(M) 43.4 mm**

TYPE	No. of Teeth	Do	Dp	Shaft Hole Diameter d			BD	BL	Shape	Tooth Section	Weight kg
				Prepared Hole	Minimum	Maximum					
NK80-2B	10	93	82.196	20	21	35	58	63	Ground Specification	High-frequency Hardened Teeth	2.00
	11	102	90.156	20	21	38	60	63			2.50
	12	110	98.138	20	21	46	69	63			2.70
	13	118	106.136	20	21	55	80	63			3.40
	14	127	114.147	20	21	60	88	63			3.90
	15	135	122.167	20	21	63	95	63			4.40
	16	143	130.196	20	21	66	100	71			5.40
	17	151	138.232	20	21	66	100	71			6.00
	18	159	146.273	23	24	80	120	71			7.50
	19	167	154.319	23	24	80	120	71			8.00
	20	176	162.368	23	24	89	130	71			9.00
	21	184	170.421	23	24	89	130	71			10.30
	22	192	178.478	23	24	80	117	71			11.00
	23	200	186.536	23	24	80	117	71			11.80
	24	208	194.597	23	24	80	117	80			12.60
	25	216	202.660	23	24	80	117	80			13.40
26	224	210.724	23	24	80	117	80	14.30			

## Standard Sprocket Two-row B-type



Ground Specification

Welded Specification

TYPE	No. of Teeth	Do	Dp	Shaft Hole Diameter d			BD	BL	Shape	Tooth Section	Weight kg
				Prepared Hole	Minimum	Maximum					
NK80-2B	28	241	226.858	23	24	80	117	80	Ground Specification	High-frequency Hardened Teeth Carbon Structural Steel	16.00
	30	257	242.996	23	24	80	117	80			18.30
	32	273	259.138	28	29	80	117	80			20.40
	35	297	283.358	28	29	80	117	80			23.90
	36	306	291.432	28	29	80	117	80			25.10
	37	314	299.507	28	35	80	117	80			26.10
	38	322	307.583	28	29	89	127	80			27.70
	40	338	323.736	33	34	89	127	90			30.40
	42	354	339.890	33	34	89	127	90	Welded Specification	Common Steel	33.00
	45	378	364.124	33	34	89	127	90			37.50
	48	403	388.361	33	34	89	127	90			43.00
	50	419	404.520	33	34	89	127	90			46.00
	54	451	436.840	33	34	89	127	90			52.50
	60	500	485.326	33	34	89	127	90			64.00
	62	516	501.489	33	34	89	127	90	68.50		
	65	540	525.734	33	34	89	127	90	73.50		
	70	581	566.145	33	34	89	127	90	90.40		