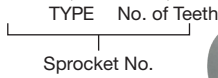


NK160B/NK160C

Standard Sprocket B-type/C-type

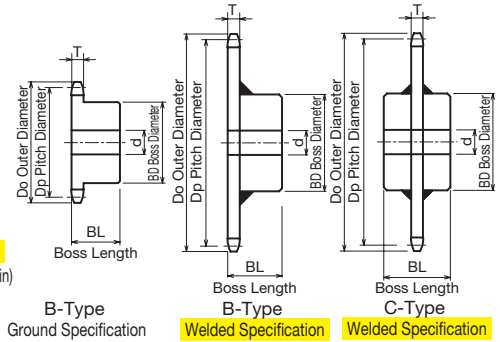
Order Product Code

NK160B 20



Ground Specification **Welded Specification**
(Black stain also mixed in)

- Chain **No.160**
- Chain Pitch **(P) 50.80 mm**
- Roller Link Inner Width ... **(W) 31.75 mm**
- Roller Outside Diameter ... **(Dr) 28.58 mm**
- Tooth Width **(T) 29.4 mm**



Sprocket No.		Do	Dp	Shaft Hole Diameter d			BD	BL	Weight kg	Shape	Tooth Section
TYPE	No. of Teeth			Prepared Hole	Minimum	Maximum					
NK160B	10	187	164.392	26	27	70	105	63	6.80	Ground Specification	Carbon Structural Steel High-Frequency Hardened Teeth
	11	204	180.313	26	27	80	117	63	8.30		
	12	220	196.276	26	27	89	127	63	9.90		
	13	237	212.272	26	27	95	137	71	12.50		
	14	253	228.293	26	27	95	137	71	13.80		
	15	269	244.335	30	31	95	137	71	15.20		
	16	286	260.392	30	31	103	147	71	17.40		
	17	302	276.463	30	31	103	147	71	18.90		
	18	319	292.546	30	31	103	147	71	20.60		
	19	335	308.637	30	31	103	147	71	22.30		
	20	351	324.737	30	31	103	147	71	24.20		
	21	368	340.843	30	31	103	147	71	26.10		
	22	384	356.955	35	36	118	167	80	30.20		
	24	416	389.194	35	36	118	167	80	34.40		
25	433	405.319	35	36	118	167	80	36.60			
26	449	421.448	35	36	118	167	80	38.90			
30	514	485.992	35	36	118	167	100	52.30			
32	546	518.277	35	36	118	167	100	59.00			
35	595	566.716	35	36	118	167	100	66.90			
NK160C	40	676	647.471	35	36	118	167	112	88.00	Welded Specification	Common Steel
	45	757	728.248	35	36	132	187	125	115.00		
	48	806	776.721	35	36	132	187	125	128.00		
	50	838	809.039	35	36	132	187	125	138.70		
	54	903	873.680	35	36	132	187	125	158.40		
	60	1,000	970.652	35	36	132	187	125	190.80		

Roller Chains

Chain Accessories

Idlers & Tensioners

Sprockets 140/160/180/200

Transmission Machine Keys

Conveyor Chains/Sprockets

Chain Couplings