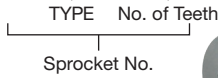


NK140B/NK140C

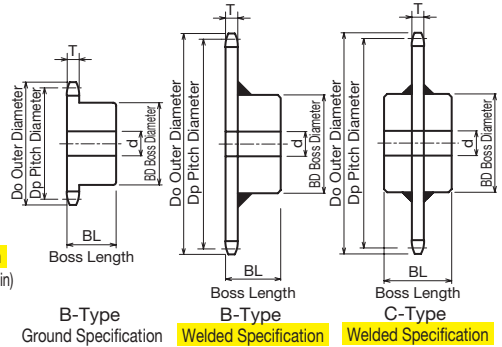
Standard Sprocket B-type/C-type

Order Product Code

NK140B 20



Ground Specification **Welded Specification**



- Chain **No.140** (Black stain also mixed in)
- Chain Pitch **(P) 44.45 mm**
- Roller Link Inner Width ... **(W) 25.40 mm**
- Roller Outside Diameter ... **(Dr) 25.40 mm**
- Tooth Width **(T) 23.5 mm**

Sprocket No.		Do	Dp	Shaft Hole Diameter d			BD	BL	Weight kg	Shape	Tooth Section		
TYPE	No. of Teeth			Prepared Hole	Minimum	Maximum							
NK140B	10	163	143.843	26	27	66	98	56	4.90	Ground Specification	Carbon Structural Steel High-Frequency Hardened Teeth		
	11	178	157.774	26	27	70	106	56	5.50				
	12	193	171.742	26	27	80	117	56	6.60				
	13	207	185.738	26	27	80	117	63	7.90				
	14	221	199.756	26	27	89	127	63	9.30				
	15	236	213.793	26	27	89	127	63	10.10				
	16	250	227.843	26	27	89	127	63	11.00				
	17	264	241.905	26	27	89	127	63	12.00				
	18	279	255.977	26	27	89	127	63	13.00				
	19	293	270.057	26	27	95	137	71	15.60				
	20	307	284.145	26	27	95	137	71	16.70				
	21	322	298.238	26	27	95	137	71	17.90				
	22	336	312.336	30	31	95	137	71	18.40			Welded Specification	Common Steel
	23	350	326.438	30	31	95	137	71	20.10				
	24	364	340.545	30	31	95	137	71	20.90				
	25	379	354.655	30	31	103	147	80	24.10				
	26	393	368.767	30	31	103	147	80	25.50				
	27	407	382.883	30	31	103	147	80	28.20				
	28	421	397.001	30	31	103	147	80	30.10				
	30	450	425.243	30	31	103	147	80	31.50				
	32	478	453.492	30	31	103	147	80	36.00				
35	521	495.876	30	31	110	157	90	42.90					
36	535	510.007	30	31	110	157	90	47.40					
38	563	538.270	30	31	110	157	90	51.00					
40	591	566.537	30	31	110	157	90	53.10					
42	620	594.807	30	31	110	157	90	60.00					
NK140C	45	662	637.217	30	31	118	167	100	68.00	Welded Specification	Common Steel		
	48	705	679.631	30	31	118	167	100	75.00				
	50	733	707.909	30	31	118	167	100	85.30				
	54	790	764.470	35	36	118	167	100	97.40				
	60	875	849.320	35	36	118	167	112	119.30				

Roller Chains

Chain Accessories

Idlers & Tensioners

Sprockets

Transmission Machine Keys

Conveyor Chains/Sprockets

Chain Couplings