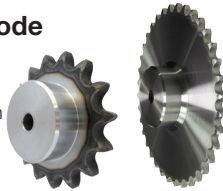
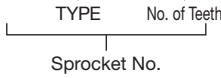


NK120B/NK120C

Standard Sprocket B-type/C-type

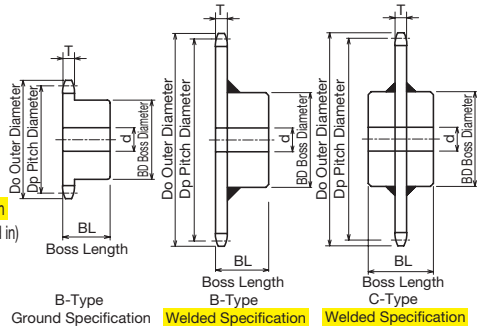
Order Product Code

NK120B 20



Ground Specification Welded Specification

- Chain **No.120** (Black stain also mixed in)
- Chain Pitch **(P) 38.10 mm**
- Roller Link Inner Width **(W) 25.40 mm**
- Roller Outside Diameter **(Dr) 22.23 mm**
- Tooth Width **(T) 23.5 mm**



B-Type Ground Specification B-Type Welded Specification C-Type Welded Specification

Sprocket No.		Do	Dp	Shaft Hole Diameter d			BD	BL	Shape	Tooth Section	Weight kg		
TYPE	No. of Teeth			Prepared Hole	Minimum	Maximum							
NK120B	10	140	123.294	23	24	51	78	56	Ground Specification	m h Carbon Structural Steel High-frequency Hardened Teeth	3.20		
	11	153	135.235	25	26	60	91	56			4.00		
	12	165	147.207	25	26	66	98	56			4.80		
	13	177	159.204	25	26	66	98	56			5.30		
	14	190	171.220	25	26	75	107	56			6.30		
	15	202	183.251	25	26	80	117	63			7.80		
	16	214	195.294	25	26	80	117	63			8.40		
	17	227	207.347	25	26	80	117	63			9.10		
	18	239	219.409	25	26	80	117	63			9.90		
	19	251	231.478	25	26	80	117	63			10.70		
	20	263	243.552	25	26	89	127	63			12.10		
	21	276	255.632	25	26	89	127	63			13.00		
	22	288	267.716	26	27	89	127	63			13.40		
	23	300	279.804	26	27	89	127	63			14.50		
	24	312	291.895	26	27	89	127	63			15.20		
	25	324	303.990	26	27	89	127	63			16.20		
	26	337	316.086	26	27	89	127	63			17.20		
	28	361	340.287	26	27	95	137	71			20.90		
	30	385	364.494	26	27	95	137	71			23.20		
	32	410	388.708	30	31	95	137	71			Welded Specification	m Common Steel	25.70
	33	422	400.816	30	31	95	137	71					28.40
	34	434	412.926	30	31	95	137	71					29.00
	35	446	425.037	30	31	95	137	71					29.70
	36	458	437.148	30	31	95	137	71					32.00
	38	483	461.374	30	31	95	137	71					35.00
	40	507	485.603	30	31	103	147	80					38.20
	42	531	509.835	30	31	103	147	80					42.00
	45	568	546.186	30	31	103	147	80					47.60
	48	604	582.541	30	31	103	147	80					53.00
	50	628	606.779	30	31	103	147	80			58.00		
NK120C	54	677	655.260	30	31	103	147	100	Welded Specification	m Common Steel	65.20		
	60	750	727.989	30	31	103	167	100	Welded Specification	m Common Steel	78.00		