

FBP15B/FBN15B

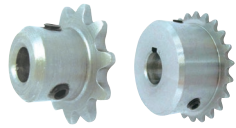
Order Product Code

FBP15B15D8
FBN15B30D12

TYPE No. of Teeth ϕD

Sprocket No.

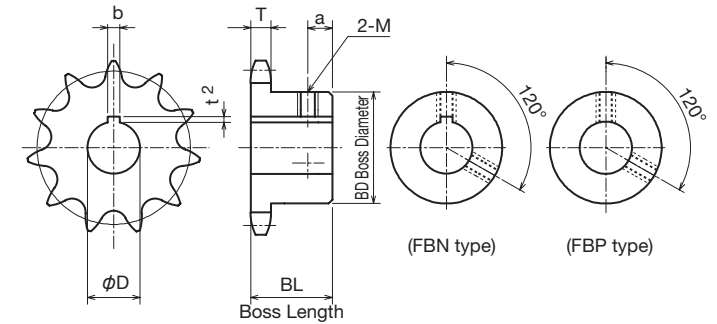
- Chain No.15 FBP-type FBN-type
- Chain Pitch (P) 4.7625 mm
- Bushing Link Inner Width (W) 2.38 mm
- Bushing Outside Diameter (Dr) 2.48 mm
- Tooth Width (T) 2.0 mm



TYPE	FBP15B/FBN15B									
	Carbon Structural Steel									
Product Code	No. of Teeth	ϕD^{H7}	Keyway bxt ²	M	Do	Dp	BD	BL	a	Weight g
FBP15B11D5	11	5	--	3	19.0	16.904	11	10	4	9
FBP15B12D5	12	5	--	3	20.5	18.401	12	10	4	10
FBP15B12D6	12	6	--	3	20.5	18.401	12	10	4	10
FBP15B13D5	13	5	--	3	22.0	19.900	14	10	4	14
FBP15B13D6	13	6	--	3	22.0	19.900	14	10	4	14
FBP15B13D8	13	8	--	4	22.0	19.900	14	10	4	14
FBP15B14D8	14	8	--	4	23.5	21.402	15	12	5	17
FBP15B15D8	15	8	--	4	25.0	22.906	17	12	5	22
FBP15B16D10	16	10	--	4	26.5	24.412	18	12	5	23
FBP15B17D10	17	10	--	4	28.0	25.918	20	14	6	32
FBP15B18D10	18	10	--	4	29.5	27.426	22	14	6	40
FBP15B20D10	20	10	--	4	32.5	30.444	24	14	6	49
FBN15B24D10	24	10	3x1.4	4	39.0	36.487	30	16	7	88
FBN15B24D12	24	12	4x1.8	5	39.0	36.487	30	16	7	88
FBN15B24D15	24	15	5x2.3	6	39.0	36.487	30	16	7	88

*M is a set screw. * The seal set screws differ from the usual due to the boss type.

FBP/FBN Finished Bore Sprocket Round Tap Hole, New JIS Keyway Specification



TYPE	FBP15B/FBN15B									
	Carbon Structural Steel									
Product Code	No. of Teeth	ϕD^{H7}	Keyway bxt ²	M	Do	Dp	BD	BL	a	Weight g
FBN15B26D12	26	12	4x1.8	5	42.0	39.511	33	16	7	104
FBN15B26D15	26	15	5x2.3	6	42.0	39.511	33	16	7	104
FBN15B26D16	26	16	5x2.3	6	42.0	39.511	33	16	7	104
FBN15B28D12	28	12	4x1.8	5	45.0	42.536	37	16	7	131
FBN15B28D15	28	15	5x2.3	6	45.0	42.536	37	16	7	131
FBN15B28D16	28	16	5x2.3	6	45.0	42.536	37	16	7	131
FBN15B30D12	30	12	4x1.8	5	48.0	45.562	39	16	7	147
FBN15B30D15	30	15	5x2.3	6	48.0	45.562	39	16	7	147
FBN15B30D16	30	16	5x2.3	6	48.0	45.562	39	16	7	147
FBN15B33D12	33	12	4x1.8	5	52.5	50.102	40	18	8	178
FBN15B33D15	33	15	5x2.3	6	52.5	50.102	40	18	8	178
FBN15B33D16	33	16	5x2.3	6	52.5	50.102	40	18	8	178
FBN15B35D12	35	12	4x1.8	5	55.5	53.130	40	18	8	182
FBN15B35D15	35	15	5x2.3	6	55.5	53.130	40	18	8	182
FBN15B35D16	35	16	5x2.3	6	55.5	53.130	40	18	8	182

*M is a set screw. * The seal set screws differ from the usual due to the boss type.

Caution * Finished Hole Tolerance
Less than $\phi 8$: H8
More than $\phi 8$: H7