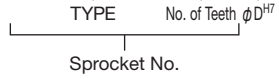


# FBN80SD

## Order Product Code

**FBN80SD18D40**



- Chain ..... **No.80**
- Chain Pitch ..... (P) **25.4 mm**
- Roller Link Inner Width ..... (W) **15.88 mm**
- Roller Outside Diameter ..... (Dr) **15.88 mm**
- Tooth Width ..... (T) **14.6 mm**  
(C) **45.4 mm**

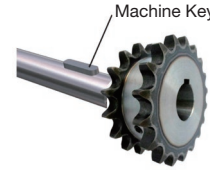


- m Carbon Structural Steel
- h High-frequency Hardened Teeth

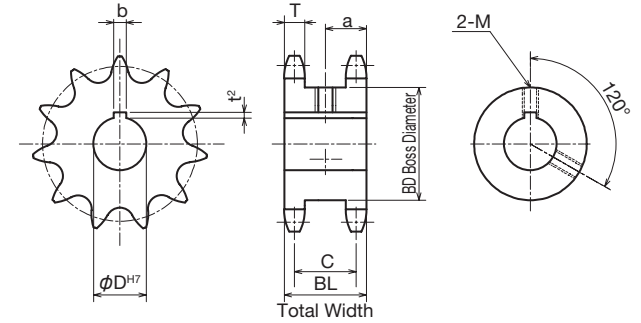
TYPE		FBN80SD									
Product Code	No. of Teeth	φ D <sup>H7</sup>	Keyway b×t <sup>2</sup>	M	Do	Dp	BD	BL	a	Weight kg	
FBN80SD12D35	12	35	10×3.3	8	110.0	98.138	67	60	30	2.52	
FBN80SD12D40	12	40	12×3.3	8	110.0	98.138	67	60	30	2.52	
FBN80SD12D45	12	45	14×3.8	10	110.0	98.138	67	60	30	2.52	
FBN80SD13D38	13	38	10×3.3	8	118.0	106.136	77	60	30	3.04	
FBN80SD13D40	13	40	12×3.3	8	118.0	106.136	77	60	30	3.04	
FBN80SD13D45	13	45	14×3.8	10	118.0	106.136	77	60	30	3.04	
FBN80SD13D50	13	50	14×3.8	10	118.0	106.136	77	60	30	3.04	
FBN80SD14D40	14	40	12×3.3	8	127.0	114.147	85	60	30	3.60	
FBN80SD14D45	14	45	14×3.8	10	127.0	114.147	85	60	30	3.60	
FBN80SD14D50	14	50	14×3.8	10	127.0	114.147	85	60	30	3.60	
FBN80SD15D40	15	40	12×3.3	8	135.0	122.167	93	60	30	4.16	
FBN80SD15D45	15	45	14×3.8	10	135.0	122.167	93	60	30	4.16	
FBN80SD15D50	15	50	14×3.8	10	135.0	122.167	93	60	30	4.16	
FBN80SD16D40	16	40	12×3.3	8	143.0	130.196	102	60	30	4.89	
FBN80SD16D45	16	45	14×3.8	10	143.0	130.196	102	60	30	4.89	
FBN80SD16D50	16	50	14×3.8	10	143.0	130.196	102	60	30	4.89	
FBN80SD16D60	16	60	18×4.4	12	143.0	130.196	102	60	30	4.89	
FBN80SD17D40	17	40	12×3.3	8	151.0	138.232	110	60	30	5.61	
FBN80SD17D45	17	45	14×3.8	10	151.0	138.232	110	60	30	5.61	
FBN80SD17D50	17	50	14×3.8	10	151.0	138.232	110	60	30	5.61	
FBN80SD17D60	17	60	18×4.4	12	151.0	138.232	110	60	30	5.61	

\*M is a set screw. \* The seal set screws differ from the usual due to the boss type.

# FBN SD Finished Bore Sprocket Single-Double New JIS Keyway Specification



Use together with the KANA machine key. Refer to P.334 to P.335



TYPE		FBN80SD									
Product Code	No. of Teeth	φ D <sup>H7</sup>	Keyway b×t <sup>2</sup>	M	Do	Dp	BD	BL	a	Weight kg	
FBN80SD18D40	18	40	12×3.3	8	159.0	146.273	118	60	30	6.36	
FBN80SD18D45	18	45	14×3.8	10	159.0	146.273	118	60	30	6.36	
FBN80SD18D50	18	50	14×3.8	10	159.0	146.273	118	60	30	6.36	
FBN80SD18D55	18	55	16×4.3	12	159.0	146.273	118	60	30	6.36	
FBN80SD18D60	18	60	18×4.4	12	159.0	146.273	118	60	30	6.36	
FBN80SD19D40	19	40	12×3.3	8	167.0	154.319	126	60	30	7.13	
FBN80SD19D45	19	45	14×3.8	10	167.0	154.319	126	60	30	7.13	
FBN80SD19D50	19	50	14×3.8	10	167.0	154.319	126	60	30	7.13	
FBN80SD19D60	19	60	18×4.4	12	167.0	154.319	126	60	30	7.13	
FBN80SD20D40	20	40	12×3.3	8	176.0	162.368	134	60	30	8.03	
FBN80SD20D45	20	45	14×3.8	10	176.0	162.368	134	60	30	8.03	
FBN80SD20D50	20	50	14×3.8	10	176.0	162.368	134	60	30	8.03	
FBN80SD20D60	20	60	18×4.4	12	176.0	162.368	134	60	30	8.03	
FBN80SD21D40	21	40	12×3.3	8	184.0	170.421	142	60	30	8.88	
FBN80SD21D45	21	45	14×3.8	10	184.0	170.421	142	60	30	8.88	
FBN80SD21D50	21	50	14×3.8	10	184.0	170.421	142	60	30	8.88	
FBN80SD21D60	21	60	18×4.4	12	184.0	170.421	142	60	30	8.88	

\*M is a set screw. \* The seal set screws differ from the usual due to the boss type.