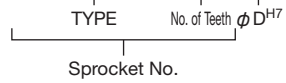


FBN60SD

Order Product Code

FBN60SD18D30



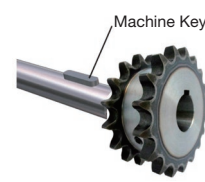
- Chain **No.60**
- Chain Pitch (P) **19.05mm**
- Roller Link Inner Width (W) **12.70mm**
- Roller Outside Diameter (Dr) **11.91mm**
- Tooth Width (T) **11.7 mm**
- (C) **38.3 mm**

m Carbon Structural Steel
h High-frequency Hardened Teeth

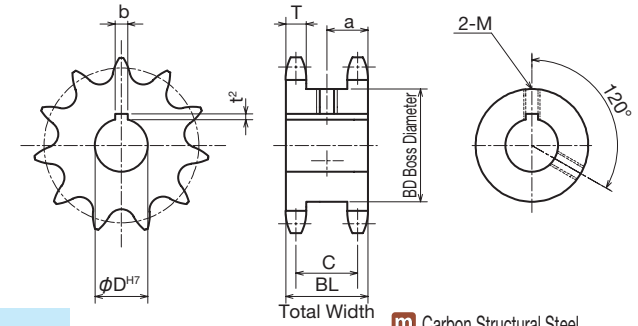
TYPE	FBN60SD									
Product Code	No. of Teeth	φ D ^{H7}	Keyway b×t ²	M	Do	Dp	BD	BL	a	Weight kg
FBN60SD12D20	12	20	6×2.8	6	83.0	73.604	51	50	25	1.14
FBN60SD12D25	12	25	8×3.3	8	83.0	73.604	51	50	25	1.14
FBN60SD12D30	12	30	8×3.3	8	83.0	73.604	51	50	25	1.14
FBN60SD13D25	13	25	8×3.3	8	89.0	79.602	57	50	25	1.39
FBN60SD13D30	13	30	8×3.3	8	89.0	79.602	57	50	25	1.39
FBN60SD13D32	13	32	10×3.3	8	89.0	79.602	57	50	25	1.39
FBN60SD13D35	13	35	10×3.3	8	89.0	79.602	57	50	25	1.39
FBN60SD14D30	14	30	8×3.3	8	95.0	85.610	64	50	25	1.63
FBN60SD14D35	14	35	10×3.3	8	95.0	85.610	64	50	25	1.63
FBN60SD14D40	14	40	12×3.3	8	95.0	85.610	64	50	25	1.63
FBN60SD15D30	15	30	8×3.3	8	101.0	91.625	70	50	25	1.96
FBN60SD15D35	15	35	10×3.3	8	101.0	91.625	70	50	25	1.96
FBN60SD15D40	15	40	12×3.3	8	101.0	91.625	70	50	25	1.96
FBN60SD16D30	16	30	8×3.3	8	107.0	97.647	76	50	25	2.20
FBN60SD16D35	16	35	10×3.3	8	107.0	97.647	76	50	25	2.20
FBN60SD16D40	16	40	12×3.3	8	107.0	97.647	76	50	25	2.20
FBN60SD16D45	16	45	14×3.8	10	107.0	97.647	76	50	25	2.20

*M is a set screw. * The seal set screws differ from the usual due to the boss type.

FBN SD Finished Bore Sprocket Single-Double New JIS Keyway Specification



Use together with the KANA machine key. Refer to P.334 to P.335



TYPE	FBN60SD									
Product Code	No. of Teeth	φ D ^{H7}	Keyway b×t ²	M	Do	Dp	BD	BL	a	Weight kg
FBN60SD17D30	17	30	8×3.3	8	113.0	103.674	82	50	25	2.56
FBN60SD17D35	17	35	10×3.3	8	113.0	103.674	82	50	25	2.56
FBN60SD17D40	17	40	12×3.3	8	113.0	103.674	82	50	25	2.56
FBN60SD17D45	17	45	14×3.8	10	113.0	103.674	82	50	25	2.56
FBN60SD18D30	18	30	8×3.3	8	119.0	109.705	88	50	25	2.90
FBN60SD18D35	18	35	10×3.3	8	119.0	109.705	88	50	25	2.90
FBN60SD18D40	18	40	12×3.3	8	119.0	109.705	88	50	25	2.90
FBN60SD18D45	18	45	14×3.8	10	119.0	109.705	88	50	25	2.90
FBN60SD19D40	19	40	12×3.3	8	126.0	115.739	94	50	25	3.26
FBN60SD19D45	19	45	14×3.8	10	126.0	115.739	94	50	25	3.26
FBN60SD19D50	19	50	14×3.8	10	126.0	115.739	94	50	25	3.26
FBN60SD20D40	20	40	12×3.3	8	132.0	121.776	100	50	25	3.70
FBN60SD20D45	20	45	14×3.8	10	132.0	121.776	100	50	25	3.70
FBN60SD20D50	20	50	14×3.8	10	132.0	121.776	100	50	25	3.70
FBN60SD21D40	21	40	12×3.3	8	138.0	127.816	107	50	25	4.13
FBN60SD21D45	21	45	14×3.8	10	138.0	127.816	107	50	25	4.13
FBN60SD21D50	21	50	14×3.8	10	138.0	127.816	107	50	25	4.13

*M is a set screw. * The seal set screws differ from the usual due to the boss type.