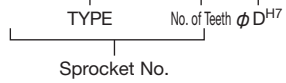


FBN40SD

Order Product Code

FBN40SD18D25



- Chain **No.40**
- Chain Pitch (P) **12.70mm**
- Roller Link Inner Width (W) **7.95 mm**
- Roller Outside Diameter (Dr) **7.92mm**
- Tooth Width (T) **7.2 mm**
(C) **27.8 mm**

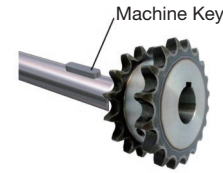


- m** Carbon Structural Steel
- h** High-frequency Hardened Teeth

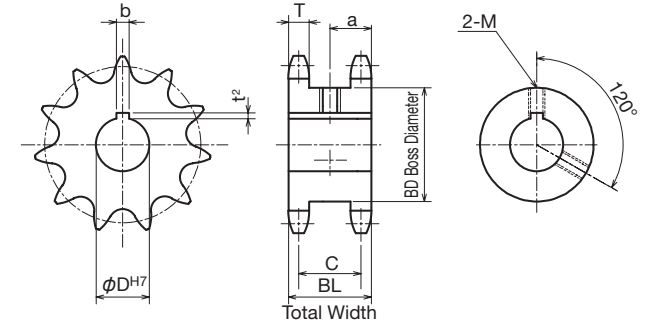
TYPE	FBN40SD										
Product Code	No. of Teeth	φ D ^{H7}	Keyway b×t ²	M	Do	Dp	BD	BL	a	Weight kg	
FBN40SD12D15	12	15	5×2.3	6	55.0	49.069	34	35	17.5	0.33	
FBN40SD12D17	12	17	5×2.3	6	55.0	49.069	34	35	17.5	0.33	
FBN40SD12D18	12	18	6×2.8	6	55.0	49.069	34	35	17.5	0.33	
FBN40SD13D18	13	18	6×2.8	6	59.0	53.068	38	35	17.5	0.40	
FBN40SD13D20	13	20	6×2.8	6	59.0	53.068	38	35	17.5	0.40	
FBN40SD14D18	14	18	6×2.8	6	63.0	57.073	42	35	17.5	0.49	
FBN40SD14D20	14	20	6×2.8	6	63.0	57.073	42	35	17.5	0.49	
FBN40SD14D25	14	25	8×3.3	8	63.0	57.073	42	35	17.5	0.49	
FBN40SD15D20	15	20	6×2.8	6	67.0	61.084	46	35	17.5	0.57	
FBN40SD15D25	15	25	8×3.3	8	67.0	61.084	46	35	17.5	0.57	
FBN40SD16D20	16	20	6×2.8	6	71.0	65.098	50	35	17.5	0.66	
FBN40SD16D25	16	25	8×3.3	8	71.0	65.098	50	35	17.5	0.66	
FBN40SD17D25	17	25	8×3.3	8	76.0	69.116	54	35	17.5	0.76	
FBN40SD17D28	17	28	8×3.3	8	76.0	69.116	54	35	17.5	0.76	
FBN40SD17D30	17	30	8×3.3	8	76.0	69.116	54	35	17.5	0.76	

*M is a set screw. * The seal set screws differ from the usual due to the boss type.

FBNSD Finished Bore Sprocket Single-Double New JIS Keyway Specification



Use together with the KANA machine key. Refer to P.334 to P.335



TYPE	FBN40SD										
Product Code	No. of Teeth	φ D ^{H7}	Keyway b×t ²	M	Do	Dp	BD	BL	a	Weight kg	
FBN40SD18D25	18	25	8×3.3	8	80.0	73.136	59	35	17.5	0.89	
FBN40SD18D28	18	28	8×3.3	8	80.0	73.136	59	35	17.5	0.89	
FBN40SD18D30	18	30	8×3.3	8	80.0	73.136	59	35	17.5	0.89	
FBN40SD18D35	18	35	10×3.3	8	80.0	73.136	59	35	17.5	0.89	
FBN40SD19D25	19	25	8×3.3	8	84.0	77.159	63	35	17.5	1.00	
FBN40SD19D28	19	28	8×3.3	8	84.0	77.159	63	35	17.5	1.00	
FBN40SD19D30	19	30	8×3.3	8	84.0	77.159	63	35	17.5	1.00	
FBN40SD19D35	19	35	10×3.3	8	84.0	77.159	63	35	17.5	1.00	
FBN40SD20D25	20	25	8×3.3	8	88.0	81.184	67	35	17.5	1.14	
FBN40SD20D28	20	28	8×3.3	8	88.0	81.184	67	35	17.5	1.14	
FBN40SD20D30	20	30	8×3.3	8	88.0	81.184	67	35	17.5	1.14	
FBN40SD20D35	20	35	10×3.3	8	88.0	81.184	67	35	17.5	1.14	
FBN40SD21D25	21	25	8×3.3	8	92.0	85.211	71	35	17.5	1.23	
FBN40SD21D28	21	28	8×3.3	8	92.0	85.211	71	35	17.5	1.23	
FBN40SD21D30	21	30	8×3.3	8	92.0	85.211	71	35	17.5	1.23	
FBN40SD21D35	21	35	10×3.3	8	92.0	85.211	71	35	17.5	1.23	

*M is a set screw. * The seal set screws differ from the usual due to the boss type.