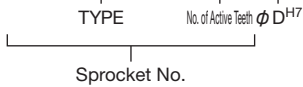


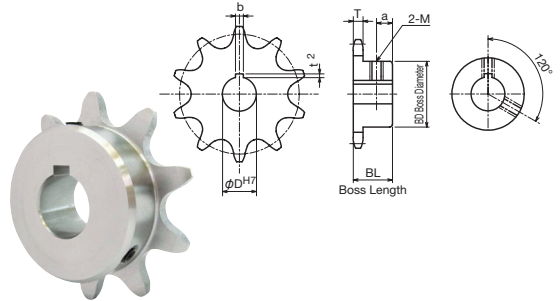
FBN2042B

FBN Double Pitch Sprocket for R Rollers New JIS Keyway Specification

Order Product Code FBN2042B10D25



- Chain No.C2042
- Chain Pitch (P) 25.4 mm
- Roller Link Inner Width (W) 7.95 mm
- Roller Outside Diameter (Dr) 15.88 mm
- Tooth Width (T) 7.2 mm



m Carbon Structural Steel

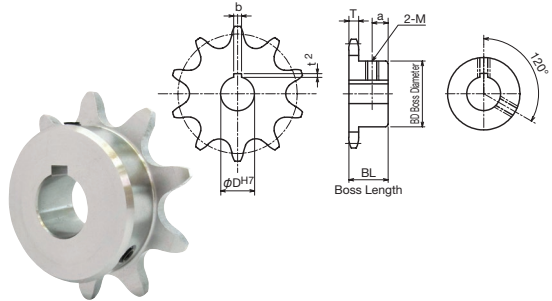
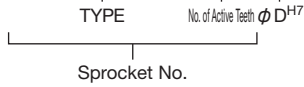
Product Code	No. of Active Teeth	ϕD^{H7}	Keyway b×t ²	M	Do	Dp	BD	BL	a	Weight kg
FBN2042B10D25	10	25	8×3.3	8	93.0	82.196	63	25	7	0.70
FBN2042B10D30	10	30	8×3.3	8	93.0	82.196	63	25	7	0.70
FBN2042B10D35	10	35	10×3.3	8	93.0	82.196	63	25	7	0.70
FBN2042B11D25	11	25	8×3.3	8	102.0	90.156	63	25	7	0.77
FBN2042B11D30	11	30	8×3.3	8	102.0	90.156	63	25	7	0.77
FBN2042B11D35	11	35	10×3.3	8	102.0	90.156	63	25	7	0.77
FBN2042B12D25	12	25	8×3.3	8	108.0	98.138	63	25	7	0.84
FBN2042B12D30	12	30	8×3.3	8	108.0	98.138	63	25	7	0.84
FBN2042B12D35	12	35	10×3.3	8	108.0	98.138	63	25	7	0.84
FBN2042B13D25	13	25	8×3.3	8	118.0	106.136	63	25	7	0.97
FBN2042B13D30	13	30	8×3.3	8	118.0	106.136	63	25	7	0.97
FBN2042B13D35	13	35	10×3.3	8	118.0	106.136	63	25	7	0.97
FBN2042B14D25	14	25	8×3.3	8	127.0	114.147	63	25	7	1.07
FBN2042B14D30	14	30	8×3.3	8	127.0	114.147	63	25	7	1.07
FBN2042B14D35	14	35	10×3.3	8	127.0	114.147	63	25	7	1.07
FBN2042B16D25	16	25	8×3.3	8	143.0	130.196	63	25	8	1.30
FBN2042B16D30	16	30	8×3.3	8	143.0	130.196	63	25	8	1.30
FBN2042B16D35	16	35	10×3.3	8	143.0	130.196	63	25	8	1.30

*M is a set screw. * The seal set screws differ from the usual due to the boss type.

FBN2052B

FBN Double Pitch Sprocket for R Rollers New JIS Keyway Specification

Order Product Code FBN2052B10D25



- Chain **No. C2052**
- Chain Pitch **(P) 31.75 mm**
- Roller Link Inner Width **(W) 9.53 mm**
- Roller Outside Diameter **(Dr) 19.05 mm**
- Tooth Width **(T) 8.7 mm**

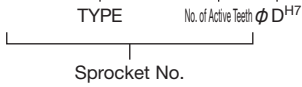
TYPE		FBN2052B		m Carbon Structural Steel						
Product Code	No. of Active Teeth	ϕ D ^{H7}	Keyway b×t ²	M	Do	Dp	BD	BL	a	Weight kg
FBN2052B10D25	10	25	8×3.3	8	116.0	102.745	73	28	8	1.10
FBN2052B10D30	10	30	8×3.3	8	116.0	102.745	73	28	8	1.10
FBN2052B10D35	10	35	10×3.3	8	116.0	102.745	73	28	8	1.10
FBN2052B10D40	10	40	12×3.3	8	116.0	102.745	73	28	8	1.10
FBN2052B11D25	11	25	8×3.3	8	127.0	112.696	73	28	8	1.20
FBN2052B11D30	11	30	8×3.3	8	127.0	112.696	73	28	8	1.20
FBN2052B11D35	11	35	10×3.3	8	127.0	112.696	73	28	8	1.20
FBN2052B11D40	11	40	12×3.3	8	127.0	112.696	73	28	8	1.20
FBN2052B12D25	12	25	8×3.3	8	138.0	122.673	73	28	8	1.30
FBN2052B12D30	12	30	8×3.3	8	138.0	122.673	73	28	8	1.30
FBN2052B12D35	12	35	10×3.3	8	138.0	122.673	73	28	8	1.30
FBN2052B12D40	12	40	12×3.3	8	138.0	122.673	73	28	8	1.30
FBN2052B13D25	13	25	8×3.3	8	148.0	132.670	73	28	8	1.50
FBN2052B13D30	13	30	8×3.3	8	148.0	132.670	73	28	8	1.50
FBN2052B13D35	13	35	10×3.3	8	148.0	132.670	73	28	8	1.50
FBN2052B13D40	13	40	12×3.3	8	148.0	132.670	73	28	8	1.50
FBN2052B14D25	14	25	8×3.3	8	158.0	142.683	73	28	8	1.90
FBN2052B14D30	14	30	8×3.3	8	158.0	142.683	73	28	8	1.90
FBN2052B14D35	14	35	10×3.3	8	158.0	142.683	73	28	8	1.90
FBN2052B14D40	14	40	12×3.3	8	158.0	142.683	73	28	8	1.90
FBN2052B15D25	15	25	8×3.3	8	168.0	152.709	73	28	8	2.00
FBN2052B15D30	15	30	8×3.3	8	168.0	152.709	73	28	8	2.00
FBN2052B15D35	15	35	10×3.3	8	168.0	152.709	73	28	8	2.00
FBN2052B15D40	15	40	12×3.3	8	168.0	152.709	73	28	8	2.00
FBN2052B18D25	18	25	8×3.3	8	199.0	182.841	83	35	10	2.75
FBN2052B18D30	18	30	8×3.3	8	199.0	182.841	83	35	10	2.75
FBN2052B18D35	18	35	10×3.3	8	199.0	182.841	83	35	10	2.75
FBN2052B18D40	18	40	12×3.3	8	199.0	182.841	83	35	10	2.75
FBN2052B20D25	20	25	8×3.3	8	220.0	202.960	83	35	10	3.15
FBN2052B20D30	20	30	8×3.3	8	220.0	202.960	83	35	10	3.15
FBN2052B20D35	20	35	10×3.3	8	220.0	202.960	83	35	10	3.15
FBN2052B20D40	20	40	12×3.3	8	220.0	202.960	83	35	10	3.15

*M is a set screw. * The seal set screws differ from the usual due to the boss type.

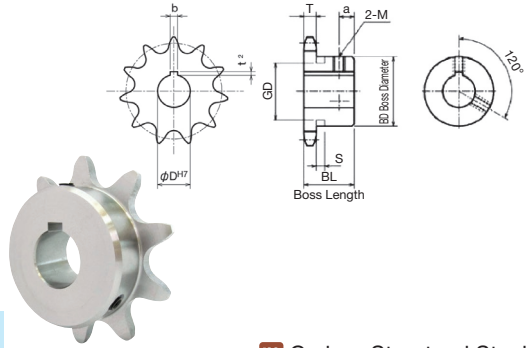
FBN2062B

FBN Double Pitch Sprocket for R Rollers New JIS Keyway Specification

Order Product Code FBN2062B10D30



- Chain No. **C2062H**
- Chain Pitch (P) **38.10 mm**
- Roller Link Inner Width (W) **12.70 mm**
- Roller Outside Diameter (Dr) **22.23 mm**
- Tooth Width (T) **11.7 mm**



m Carbon Structural Steel

TYPE	FBN2062B										
Product Code	No. of Active Teeth	ϕD^{H7}	Keyway $b \times t^2$	M	Do	Dp	BD	BL	a	Weight kg	
FBN2062B7D25	7	25	8×3.3	8	102.0	87.812	★60	40	9	0.97	
FBN2062B7D30	7	30	8×3.3	8	102.0	87.812	★60	40	9	0.97	
FBN2062B10D30	10	30	8×3.3	8	140.0	123.294	80	45	12	2.5	
FBN2062B10D35	10	35	10×3.3	8	140.0	123.294	80	45	12	2.5	
FBN2062B10D40	10	40	12×3.3	8	140.0	123.294	80	45	12	2.5	
FBN2062B10D45	10	45	14×3.8	10	140.0	123.294	80	45	12	2.5	
FBN2062B11D30	11	30	8×3.3	8	153.0	135.235	83	45	12	2.6	
FBN2062B11D35	11	35	10×3.3	8	153.0	135.235	83	45	12	2.6	
FBN2062B11D40	11	40	12×3.3	8	153.0	135.235	83	45	12	2.6	
FBN2062B11D45	11	45	14×3.8	10	153.0	135.235	83	45	12	2.6	
FBN2062B12D30	12	30	8×3.3	8	165.0	147.207	83	45	12	2.8	
FBN2062B12D35	12	35	10×3.3	8	165.0	147.207	83	45	12	2.8	
FBN2062B12D40	12	40	12×3.3	8	165.0	147.207	83	45	12	2.8	
FBN2062B12D45	12	45	14×3.8	10	165.0	147.207	83	45	12	2.8	
FBN2062B13D30	13	30	8×3.3	8	177.0	159.204	83	45	12	3.1	
FBN2062B13D35	13	35	10×3.3	8	177.0	159.204	83	45	12	3.1	
FBN2062B13D40	13	40	12×3.3	8	177.0	159.204	83	45	12	3.1	
FBN2062B13D45	13	45	14×3.8	10	177.0	159.204	83	45	12	3.1	
FBN2062B16D30	16	30	8×3.3	8	214.0	195.294	83	45	12	4.2	
FBN2062B16D35	16	35	10×3.3	8	214.0	195.294	83	45	12	4.2	
FBN2062B16D40	16	40	12×3.3	8	214.0	195.294	83	45	12	4.2	
FBN2062B16D45	16	45	14×3.8	10	214.0	195.294	83	45	12	4.2	
FBN2062B20D30	20	30	8×3.3	8	263.0	243.552	83	45	12	6.0	
FBN2062B20D35	20	35	10×3.3	8	263.0	243.552	83	45	12	6.0	
FBN2062B20D40	20	40	12×3.3	8	263.0	243.552	83	45	12	6.0	
FBN2062B20D45	20	45	14×3.8	10	263.0	243.552	83	45	12	6.0	

*M is a set screw. * The seal set screws differ from the usual due to the boss type.

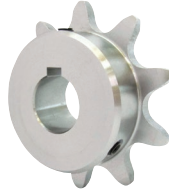
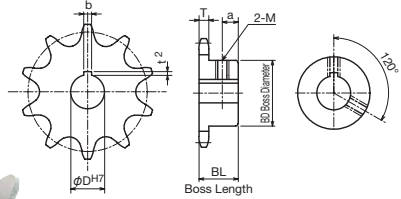
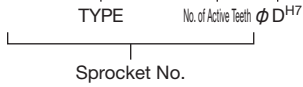
Ⓜ Sprockets with a ★ symbol for BD have a channel in the boss exterior.

No. of Teeth	S	GD
7	10	56

FBN2082B

FBN Double Pitch Sprocket for R Rollers New JIS Keyway Specification

● Order Product Code
FBN2082B11D30



- Chain No. **C2082H**
- Chain Pitch (P) **50.80 mm**
- Roller Link Inner Width (W) **15.88 mm**
- Roller Outside Diameter (Dr) **28.58 mm**
- Tooth Width (T) **14.6 mm**

TYPE **FBN2082B** **m** Carbon Structural Steel

Product Code	No. of Active Teeth	φ D ^{H7}	Keyway b×t ²	M	Do	Dp	BD	BL	a	Weight kg
FBN2082B11D30	11	30	8×3.3	8	204.0	180.313	107	45	12	4.42
FBN2082B11D35	11	35	10×3.3	8	204.0	180.313	107	45	12	4.42
FBN2082B11D40	11	40	12×3.3	8	204.0	180.313	107	45	12	4.42
FBN2082B11D45	11	45	14×3.8	10	204.0	180.313	107	45	12	4.42
FBN2082B12D30	12	30	8×3.3	8	220.0	196.276	107	45	12	4.49
FBN2082B12D35	12	35	10×3.3	8	220.0	196.276	107	45	12	4.49
FBN2082B12D40	12	40	12×3.3	8	220.0	196.276	107	45	12	4.49
FBN2082B12D45	12	45	14×3.8	10	220.0	196.276	107	45	12	4.49

*M is a set screw. * The seal set screws differ from the usual due to the boss type.