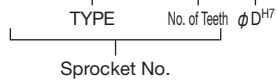


FBN120B

Order Product Code

FBN120B13D45



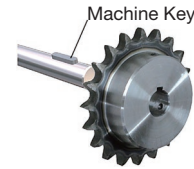
- Chain **No.120**
- Chain Pitch **(P) 38.10 mm**
- Roller Link Inner Width **(W) 25.40 mm**
- Roller Outside Diameter **(Dr) 22.23 mm**
- Tooth Width **(T) 23.5 mm**

m Carbon Structural Steel
h High-frequency Hardened Teeth

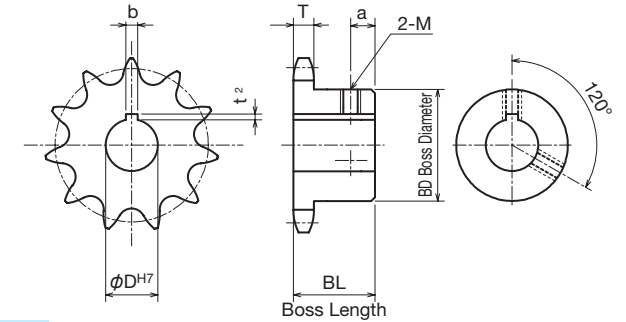
TYPE	FBN120B									
Product Code	No. of Teeth	φ D ^{H7}	Keyway b×t ²	M	Do	Dp	BD	BL	a	Weight kg
FBN120B13D45	13	45	14×3.8	10	177.0	159.204	98	56	16	5.30
FBN120B13D48	13	48	14×3.8	10	177.0	159.204	98	56	16	5.30
FBN120B13D50	13	50	14×3.8	10	177.0	159.204	98	56	16	5.30
FBN120B13D55	13	55	16×4.3	12	177.0	159.204	98	56	16	5.30
FBN120B13D60	13	60	18×4.4	12	177.0	159.204	98	56	16	5.30
FBN120B13D63	13	63	18×4.4	12	177.0	159.204	98	56	16	5.30
FBN120B14D45	14	45	14×3.8	10	190.0	171.220	107	56	16	6.30
FBN120B14D48	14	48	14×3.8	10	190.0	171.220	107	56	16	6.30
FBN120B14D50	14	50	14×3.8	10	190.0	171.220	107	56	16	6.30
FBN120B14D55	14	55	16×4.3	12	190.0	171.220	107	56	16	6.30
FBN120B14D60	14	60	18×4.4	12	190.0	171.220	107	56	16	6.30
FBN120B14D65	14	65	18×4.4	12	190.0	171.220	107	56	16	6.30
FBN120B14D70	14	70	20×4.9	16	190.0	171.220	107	56	16	6.30
FBN120B15D45	15	45	14×3.8	10	202.0	183.251	117	63	16	7.80
FBN120B15D48	15	48	14×3.8	10	202.0	183.251	117	63	16	7.80
FBN120B15D50	15	50	14×3.8	10	202.0	183.251	117	63	16	7.80
FBN120B15D55	15	55	16×4.3	12	202.0	183.251	117	63	16	7.80
FBN120B15D60	15	60	18×4.4	12	202.0	183.251	117	63	16	7.80
FBN120B15D70	15	70	20×4.9	16	202.0	183.251	117	63	16	7.80

*M is a set screw. * The seal set screws differ from the usual due to the boss type.

FBN Finished Bore Sprocket New JIS Keyway Specification



Use together with the KANA machine key. Refer to P.334 to P.335



TYPE	FBN120B									
Product Code	No. of Teeth	φ D ^{H7}	Keyway b×t ²	M	Do	Dp	BD	BL	a	Weight kg
FBN120B16D50	16	50	14×3.8	10	214.0	195.294	117	63	16	8.40
FBN120B16D60	16	60	18×4.4	12	214.0	195.294	117	63	16	8.40
FBN120B16D70	16	70	20×4.9	16	214.0	195.294	117	63	16	8.40
FBN120B17D60	17	60	18×4.4	12	227.0	207.347	117	63	16	9.10
FBN120B18D50	18	50	14×3.8	10	239.0	219.409	117	63	16	9.90
FBN120B18D60	18	60	18×4.4	12	239.0	219.409	117	63	16	9.90
FBN120B19D60	19	60	18×4.4	12	251.0	231.478	117	63	16	10.70
FBN120B20D50	20	50	14×3.8	10	263.0	243.552	127	63	16	12.10
FBN120B20D60	20	60	18×4.4	12	263.0	243.552	127	63	16	12.10
FBN120B20D70	20	70	20×4.9	16	263.0	243.552	127	63	16	12.10
FBN120B21D50	21	50	14×3.8	10	276.0	255.632	127	63	16	13.00
FBN120B21D60	21	60	18×4.4	12	276.0	255.632	127	63	16	13.00
FBN120B25D70	25	70	20×4.9	16	324.0	303.990	127	63	16	16.20

*M is a set screw. * The seal set screws differ from the usual due to the boss type.