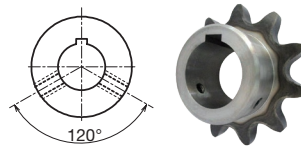
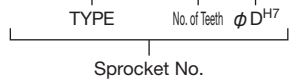


# FBN100B

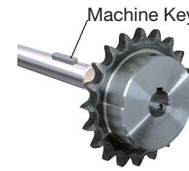
## FBN Finished Bore Sprocket New JIS Keyway Specification

### Order Product Code

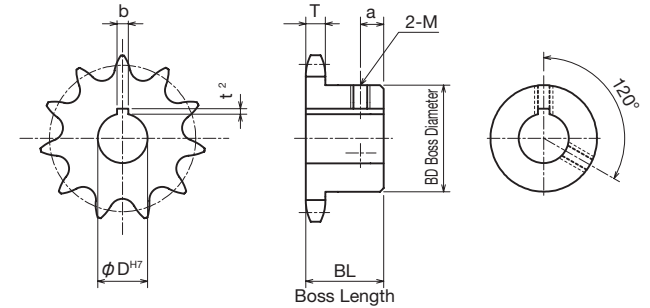
**FBN100B12D30**



①  $\phi D^{H7}$  mark setscrew is set at a location other than the keyway (above figure).



Use together with the KANA machine key. Refer to P.334 to P.335



- Chain .....No.100
- Chain Pitch .....(P) 31.75mm
- Roller Link Inner Width ... (W) 19.05mm
- Roller Outside Diameter ... (Dr) 19.05mm
- Tooth Width .....(T) 17.6 mm

- m** Carbon Structural Steel
- h** High-frequency Hardened Teeth

TYPE		FBN100B									
Product Code	No. of Teeth	$\phi D^{H7}$	Keyway b×t <sup>2</sup>	M	Do	Dp	BD	BL	a	Weight kg	
FBN100B10D25	10	25	8×3.3	8	117.0	102.745	65	50	16	1.90	
FBN100B10D28	10	28	8×3.3	8	117.0	102.745	65	50	16	1.90	
FBN100B10D30	10	30	8×3.3	8	117.0	102.745	65	50	16	1.90	
FBN100B10D32	10	32	10×3.3	8	117.0	102.745	65	50	16	1.90	
FBN100B10D35	10	35	10×3.3	8	117.0	102.745	65	50	16	1.90	
FBN100B10D38	10	38	10×3.3	8	117.0	102.745	65	50	16	1.90	
FBN100B10D40	10	40	12×3.3	8	117.0	102.745	65	50	16	1.90	
FBN100B10D42	10	42	12×3.3	8	117.0	102.745	65	50	16	1.90	
FBN100B11D25	11	25	8×3.3	8	127.0	112.696	75	50	16	2.30	
FBN100B11D28	11	28	8×3.3	8	127.0	112.696	75	50	16	2.30	
FBN100B11D30	11	30	8×3.3	8	127.0	112.696	75	50	16	2.30	
FBN100B11D32	11	32	10×3.3	8	127.0	112.696	75	50	16	2.30	
FBN100B11D35	11	35	10×3.3	8	127.0	112.696	75	50	16	2.30	
FBN100B11D38	11	38	10×3.3	8	127.0	112.696	75	50	16	2.30	
FBN100B11D40	11	40	12×3.3	8	127.0	112.696	75	50	16	2.30	
FBN100B11D42	11	42	12×3.3	8	127.0	112.696	75	50	16	2.30	
FBN100B11D45	11	45	14×3.8	10	127.0	112.696	75	50	16	2.30	
FBN100B11D48	11	48	14×3.8	10	127.0	112.696	75	50	16	2.30	
FBN100B11D50	11	50	14×3.8	10	127.0	112.696	75	50	16	2.30	
FBN100B12D25	12	25	8×3.3	8	138.0	122.673	86	50	16	2.90	
FBN100B12D28	12	28	8×3.3	8	138.0	122.673	86	50	16	2.90	
FBN100B12D30	12	30	8×3.3	8	138.0	122.673	86	50	16	2.90	
FBN100B12D32	12	32	10×3.3	8	138.0	122.673	86	50	16	2.90	
FBN100B12D35	12	35	10×3.3	8	138.0	122.673	86	50	16	2.90	
FBN100B12D38	12	38	10×3.3	8	138.0	122.673	86	50	16	2.90	
FBN100B12D40	12	40	12×3.3	8	138.0	122.673	86	50	16	2.90	
FBN100B12D42	12	42	12×3.3	8	138.0	122.673	86	50	16	2.90	
FBN100B12D45	12	45	14×3.8	10	138.0	122.673	86	50	16	2.90	

\*M is a set screw. \* The seal set screws differ from the usual due to the boss type.

TYPE		FBN100B									
Product Code	No. of Teeth	$\phi D^{H7}$	Keyway b×t <sup>2</sup>	M	Do	Dp	BD	BL	a	Weight kg	
FBN100B12D48	12	48	14×3.8	10	138.0	122.673	86	50	16	2.90	
FBN100B12D50	12	50	14×3.8	10	138.0	122.673	86	50	16	2.90	
FBN100B12D55	12	55	16×4.3	12	138.0	122.673	86	50	16	2.90	
FBN100B13D25	13	25	8×3.3	8	148.0	132.670	94	50	16	3.10	
FBN100B13D28	13	28	8×3.3	8	148.0	132.670	94	50	16	3.10	
FBN100B13D30	13	30	8×3.3	8	148.0	132.670	94	50	16	3.10	
FBN100B13D32	13	32	10×3.3	8	148.0	132.670	94	50	16	3.10	
FBN100B13D35	13	35	10×3.3	8	148.0	132.670	94	50	16	3.10	
FBN100B13D38	13	38	10×3.3	8	148.0	132.670	94	50	16	3.10	
FBN100B13D40	13	40	12×3.3	8	148.0	132.670	94	50	16	3.10	
FBN100B13D42	13	42	12×3.3	8	148.0	132.670	94	50	16	3.10	
FBN100B13D45	13	45	14×3.8	10	148.0	132.670	94	50	16	3.10	
FBN100B13D48	13	48	14×3.8	10	148.0	132.670	94	50	16	3.10	
FBN100B13D50	13	50	14×3.8	10	148.0	132.670	94	50	16	3.10	
FBN100B13D55	13	55	16×4.3	12	148.0	132.670	94	50	16	3.10	
FBN100B13D60	13	60	18×4.4	12	148.0	132.670	94	50	16	3.10	
FBN100B14D25	14	25	8×3.3	8	158.0	142.683	98	50	16	3.60	
FBN100B14D28	14	28	8×3.3	8	158.0	142.683	98	50	16	3.60	
FBN100B14D30	14	30	8×3.3	8	158.0	142.683	98	50	16	3.60	
FBN100B14D32	14	32	10×3.3	8	158.0	142.683	98	50	16	3.60	
FBN100B14D35	14	35	10×3.3	8	158.0	142.683	98	50	16	3.60	
FBN100B14D38	14	38	10×3.3	8	158.0	142.683	98	50	16	3.60	
FBN100B14D40	14	40	12×3.3	8	158.0	142.683	98	50	16	3.60	
FBN100B14D42	14	42	12×3.3	8	158.0	142.683	98	50	16	3.60	
FBN100B14D45	14	45	14×3.8	10	158.0	142.683	98	50	16	3.60	
FBN100B14D48	14	48	14×3.8	10	158.0	142.683	98	50	16	3.60	
FBN100B14D50	14	50	14×3.8	10	158.0	142.683	98	50	16	3.60	
FBN100B14D55	14	55	16×4.3	12	158.0	142.683	98	50	16	3.60	

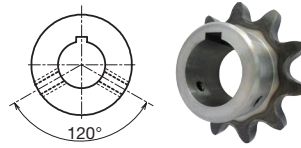
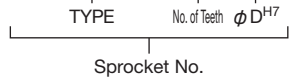
\*M is a set screw. \* The seal set screws differ from the usual due to the boss type.

# FBN100B

# FBN Finished Bore Sprocket New JIS Keyway Specification

## Order Product Code

**FBN100B12D30**



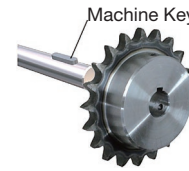
①  $\phi D^{H7}$  mark setscrew is set at a location other than the keyway (above figure).

- Chain .....No.100
- Chain Pitch .....(P) 31.75mm
- Roller Link Inner Width ... (W) 19.05mm
- Roller Outside Diameter ... (Dr) 19.05mm
- Tooth Width .....(T) 17.6 mm

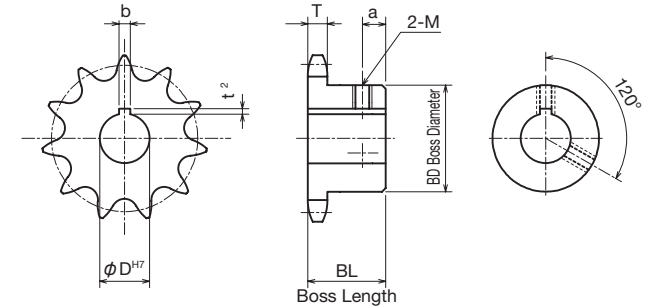
**m** Carbon Structural Steel  
**h** High-frequency Hardened Teeth

TYPE	FBN100B									
Product Code	No. of Teeth	$\phi D^{H7}$	Keyway b×t <sup>2</sup>	M	Do	Dp	BD	BL	a	Weight kg
FBN100B14D60	14	60	18×4.4	12	158.0	142.683	98	50	16	3.60
FBN100B15D32	15	32	10×3.3	8	168.0	152.709	98	50	16	4.20
FBN100B15D35	15	35	10×3.3	8	168.0	152.709	98	50	16	4.20
FBN100B15D38	15	38	10×3.3	8	168.0	152.709	98	50	16	4.20
FBN100B15D40	15	40	12×3.3	8	168.0	152.709	98	50	16	4.20
FBN100B15D42	15	42	12×3.3	8	168.0	152.709	98	50	16	4.20
FBN100B15D45	15	45	14×3.8	10	168.0	152.709	98	50	16	4.20
FBN100B15D48	15	48	14×3.8	10	168.0	152.709	98	50	16	4.20
FBN100B15D50	15	50	14×3.8	10	168.0	152.709	98	50	16	4.20
FBN100B15D55	15	55	16×4.3	12	168.0	152.709	98	50	16	4.20
FBN100B15D60	15	60	18×4.4	12	168.0	152.709	98	50	16	4.20
FBN100B15D65	15	65	18×4.4	12	168.0	152.709	98	50	16	4.20
FBN100B16D38	16	38	10×3.3	8	179.0	162.745	98	50	16	4.60
FBN100B16D45	16	45	14×3.8	10	179.0	162.745	98	50	16	4.60
FBN100B16D48	16	48	14×3.8	10	179.0	162.745	98	50	16	4.60
FBN100B16D50	16	50	14×3.8	10	179.0	162.745	98	50	16	4.60
FBN100B16D55	16	55	16×4.3	12	179.0	162.745	98	50	16	4.60
FBN100B16D60	16	60	18×4.4	12	179.0	162.745	98	50	16	4.60
FBN100B17D38	17	38	10×3.3	8	189.0	172.790	107	50	16	5.30
FBN100B17D45	17	45	14×3.8	10	189.0	172.790	107	50	16	5.30
FBN100B17D48	17	48	14×3.8	10	189.0	172.790	107	50	16	5.30
FBN100B17D50	17	50	14×3.8	10	189.0	172.790	107	50	16	5.30
FBN100B17D55	17	55	16×4.3	12	189.0	172.790	107	50	16	5.30
FBN100B17D60	17	60	18×4.4	12	189.0	172.790	107	50	16	5.30
FBN100B17D70	17	70	20×4.9	16	189.0	172.790	107	50	16	5.30
FBN100B18D35	18	35	10×3.3	8	199.0	182.841	107	50	16	5.70
FBN100B18D38	18	38	10×3.3	8	199.0	182.841	107	50	16	5.70

\*M is a set screw. \* The seal set screws differ from the usual due to the boss type.



Use together with the KANA machine key. Refer to P.334 to P.335



**m** Carbon Structural Steel  
**h** High-frequency Hardened Teeth

TYPE	FBN100B									
Product Code	No. of Teeth	$\phi D^{H7}$	Keyway b×t <sup>2</sup>	M	Do	Dp	BD	BL	a	Weight kg
FBN100B18D45	18	45	14×3.8	10	199.0	182.841	107	50	16	5.70
FBN100B18D50	18	50	14×3.8	10	199.0	182.841	107	50	16	5.70
FBN100B18D55	18	55	16×4.3	12	199.0	182.841	107	50	16	5.70
FBN100B18D60	18	60	18×4.4	12	199.0	182.841	107	50	16	5.70
FBN100B18D70	18	70	20×4.9	16	199.0	182.841	107	50	16	5.70
FBN100B19D38	19	38	10×3.3	8	209.0	192.898	107	50	16	6.10
FBN100B19D45	19	45	14×3.8	10	209.0	192.898	107	50	16	6.10
FBN100B19D50	19	50	14×3.8	10	209.0	192.898	107	50	16	6.10
FBN100B19D55	19	55	16×4.3	12	209.0	192.898	107	50	16	6.10
FBN100B19D60	19	60	18×4.4	12	209.0	192.898	107	50	16	6.10
FBN100B20D38	20	38	10×3.3	8	220.0	202.960	107	50	16	6.50
FBN100B20D45	20	45	14×3.8	10	220.0	202.960	107	50	16	6.50
FBN100B20D48	20	48	14×3.8	10	220.0	202.960	107	50	16	6.50
FBN100B20D50	20	50	14×3.8	10	220.0	202.960	107	50	16	6.50
FBN100B20D55	20	55	16×4.3	12	220.0	202.960	107	50	16	6.50
FBN100B20D60	20	60	18×4.4	12	220.0	202.960	107	50	16	6.50
FBN100B20D70	20	70	20×4.9	16	220.0	202.960	107	50	16	6.50
FBN100B21D45	21	45	14×3.8	10	230.0	213.027	107	50	16	7.00
FBN100B21D50	21	50	14×3.8	10	230.0	213.027	107	50	16	7.00
FBN100B21D55	21	55	16×4.3	12	230.0	213.027	107	50	16	7.00
FBN100B21D60	21	60	18×4.4	12	230.0	213.027	107	50	16	7.00
FBN100B22D60	22	60	18×4.4	12	240.0	223.097	117	56	16	7.90
FBN100B24D60	24	60	18×4.4	12	260.0	243.246	117	56	16	8.80
FBN100B24D70	24	70	20×4.9	16	260.0	243.246	117	56	16	8.80
FBN100B25D60	25	60	18×4.4	12	270.0	253.325	117	56	16	9.30
FBN100B30D60	30	60	18×4.4	12	321.0	303.745	117	56	16	12.10
FBN100B30D80	30	80	22×5.4	16	321.0	303.745	117	56	16	12.10

\*M is a set screw. \* The seal set screws differ from the usual due to the boss type.